

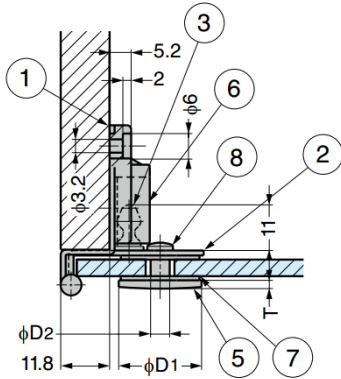
GGHC34-8 Overlay Glass Door Hinge With Catch

Features

- Hinge for glass/acrylic doors, with catch
- Square plate type **GGH34-8CR-K** also available
- Passed 30,000 life cycle test

Notes

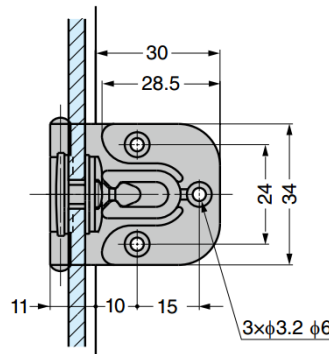
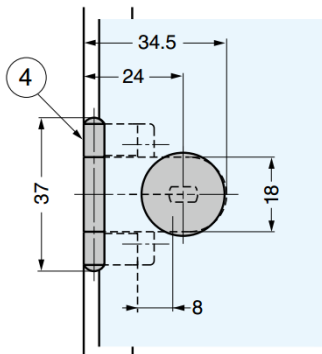
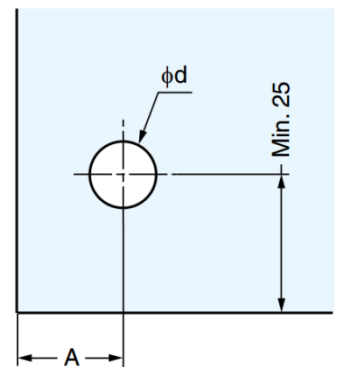
- Recommended for use in pairs
- Use screw loosening prevention agent when mounting screws
- Recommended door dimensions in the below table are based on usage of two hinges for one door



Boring position changes with the glass thickness.

Glass Thickness	A	Overlay
4	19	7
5	18	6
6	17	5

Cut Out Dimensions



No.	Part Name	Material			
		GGHC34-8G	GGHC34-8B	GGHC34-8CR	GGHC34-8CR-W
①	Body	Steel	Stainless Steel (SUS304)	Steel (SPCC)	
②	Arm	Steel (SPCC)			
③	Striker	Brass	Stainless Steel (SUS303)	Brass	Copper Alloy
④	Shaft	Steel (SWCH)	Stainless Steel (SUS304)	Steel	
⑤	Plate	Copper Alloy	Aluminium Alloy	Brass	Copper Alloy
⑥	Catch	POM			
⑦	Washer	PVC			
⑧	Binding head screw	Brass	Steel		

No.	Part Name	Finish / Colour			
		GGHC34-8G	GGHC34-8B	GGHC34-8CR	GGHC34-8CR-W
①	Body	Gold, Clear	Black Enamel Finish	Chrome	
②	Arm				
③	Striker				
④	Shaft				
⑤	Plate	Polished, Clear	Black Anodised		
⑥	Catch	Black			Natural
⑦	Washer	Clear			
⑧	Binding head screw	Plain	Nickel		

Part No.	D ₁	D ₂	d	T	Door Width	Door Height	Glass Thickness	Load Capacity (per pair)	
GGHC34-8G	20	6.5	8	2	Max. 450	Max. 700	4, 5, 6	39 N	4 kg
GGHC34-8B	21	8	10	3				49 N	5 kg
GGHC34-8CR	20	6.5	8	2				39 N	4 kg
GGHC34-8CR-W									